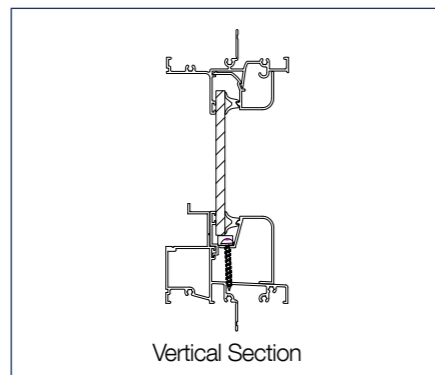
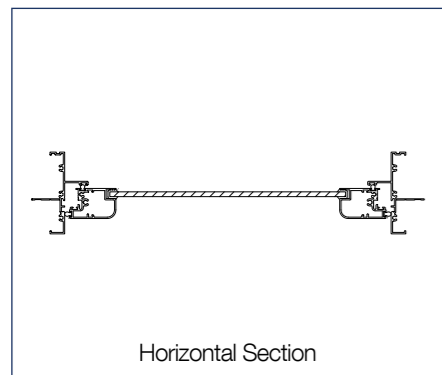
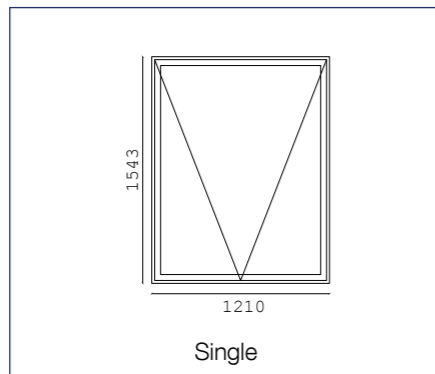
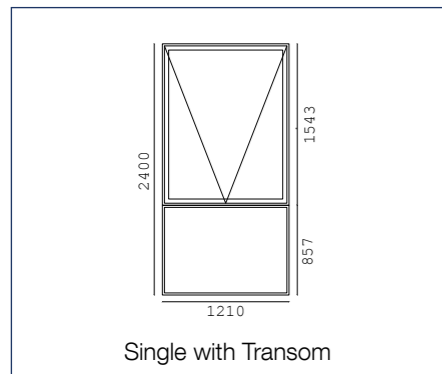
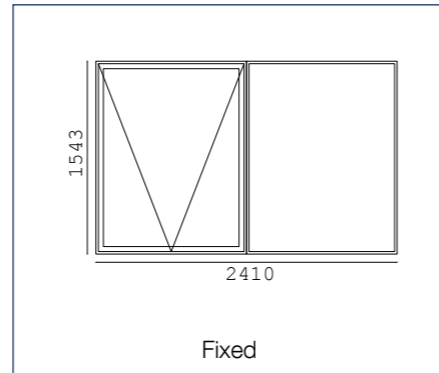
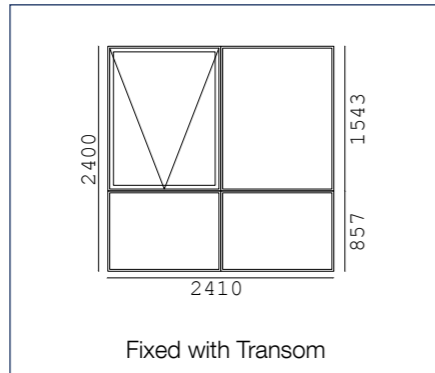
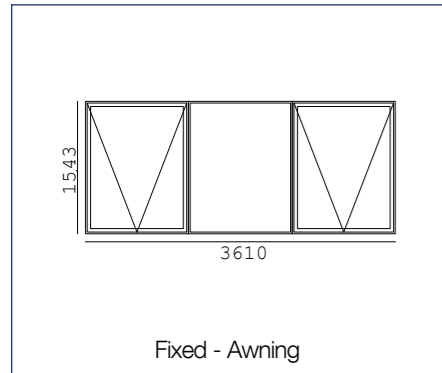
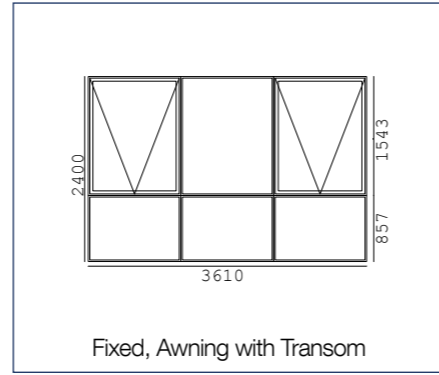
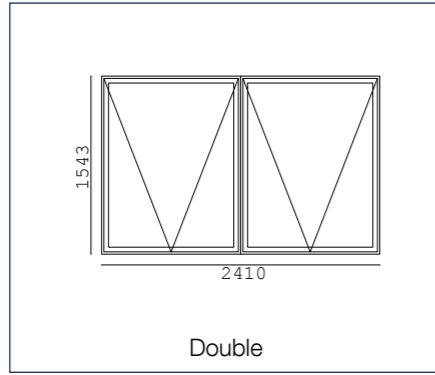
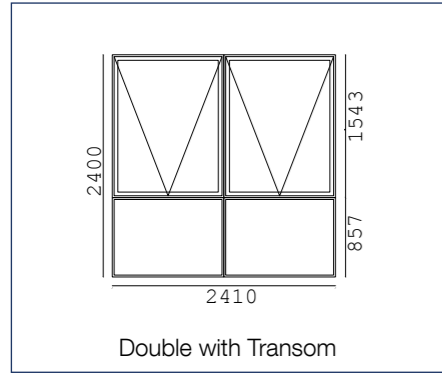


Sample Configurations and Maximum Sizes



Please see our performance glass brochure for detailed glazing options for our products



mandurahglass

Australian Designed and Locally Made

awning windows

Call us for custom sizing or specific requirements

21 Tindale Street, Mandurah 6210, Ph: 9581 2894, Fax: 9581 5009
 Web: www.mandurahglass.com.au Email: info@mandurahglass.com.au

Residential | Commercial | Architectural

Builder - Bluewater Building



awning windows



Our custom made awning windows can fit most building applications and with glazing options, can meet a 4 star rating for cooling or 5 star for heating.

Benefits –

- Frames have clean smooth lines, a flat sill and rounded edges and come in a choice of colours.
- Hollow sections give added strength and security.
- No rivets or screws are visible.
- Stainless steel fasteners and high quality components used.
- Flyscreens are easily removed and replaced for cleaning.
- Fully adaptable to all building materials and glass types.
- On site measured and manufactured locally to specifications.
- Adaptable to multiple configurations, including the ability to stack vertically or horizontally or the option to open from the side (casement windows)
- Lock securely with push button or key lock.

Options –

- Glazing options include double glazing and/or “low e” glass to increase your star rating.
- Upgrade to stainless steel winder.
- Exclusive adaptor for stud walls available.
- Safety “restrictor” opener available to satisfy pool regulation requirements.
- Frames can meet up to cyclonic (C4) conditions.
- Mesh security screens available.
- Commercial upgrade where a wider frame or a larger opening is a requirement, heights are achievable to above 2700mm.
- Automated upgrade– Windows too high to reach for regular opening can be operated with the press of a button or a telescopic winder.



Awnings, the most efficient sealing window on the market are hinged from the top to enable you to enjoy the breeze while still providing protection from light rain.